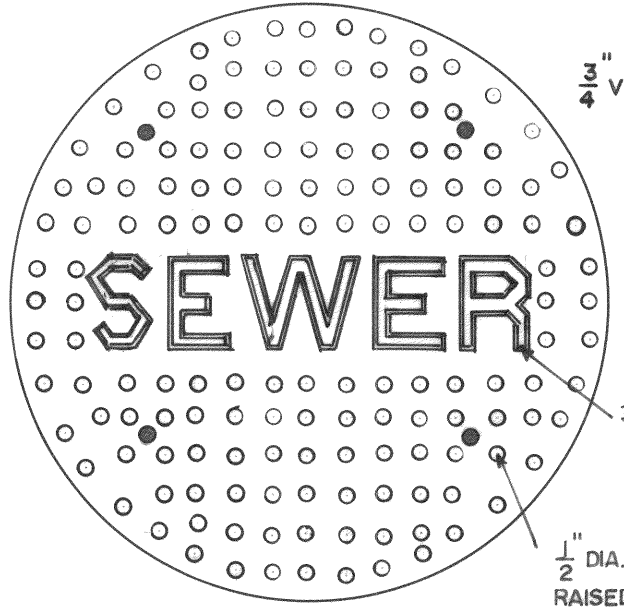
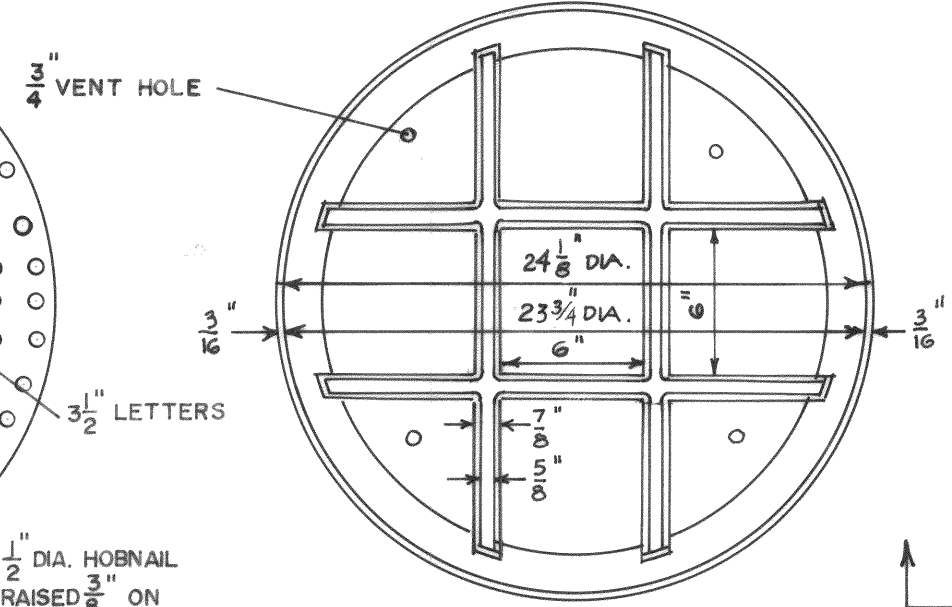


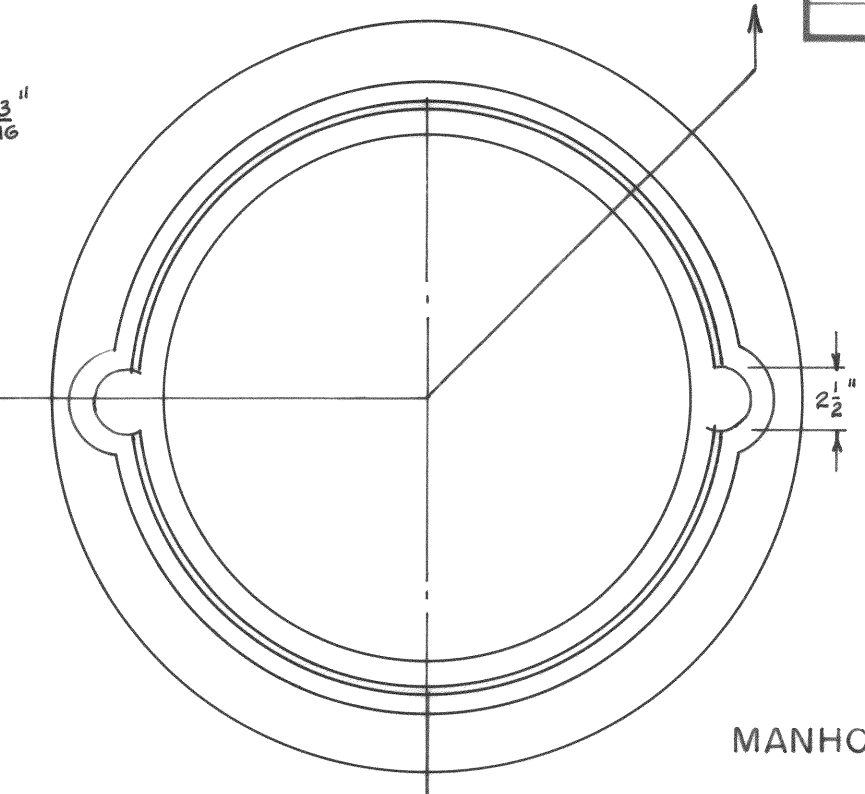
DIVISION OF PUBLIC WORKS BUREAU, CIVIL ENGINEER, BUREAU ENGINEER, DRAFTSMAN, db DATE 11-79 SCALE $\frac{1}{2}'' = 1'-0''$



TOP PLAN

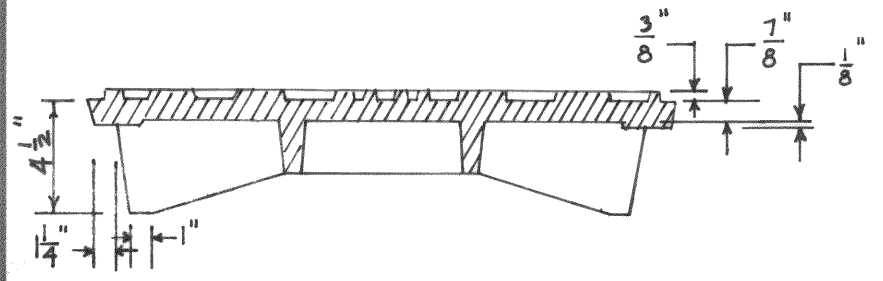


BOTTOM PLAN



TOP PLAN

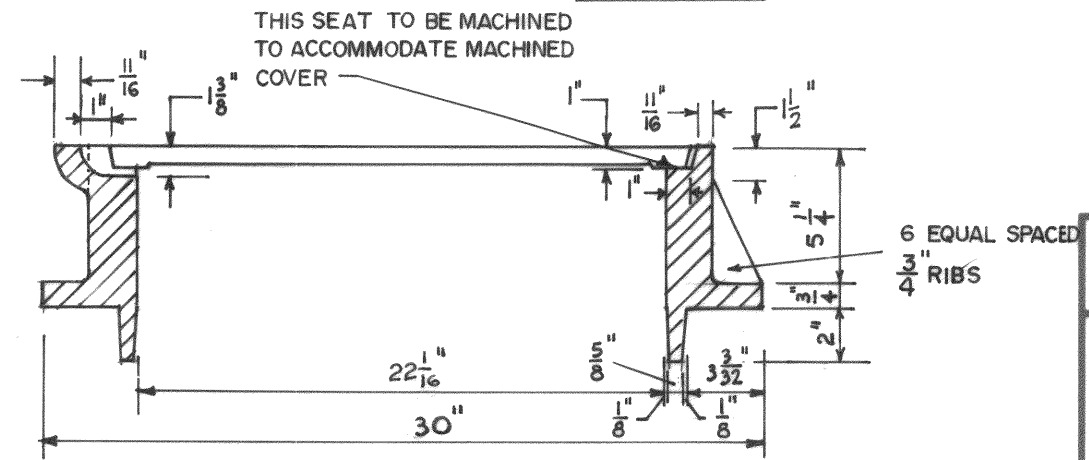
MANHOLE RIM NO. 7-ALT.



SECTION

MANHOLE COVER NO. 7-ALT.

NOTES:
 1. ESTIMATED WEIGHT:
 COVER 165 lbs.
 FRAME 270 lbs.



SECTION

REVISIONS			
NO.	DATE	BY	REMARKS

CONVERSIONS	
ENGLISH	METRIC

CITY OF MEMPHIS
 DIVISION OF PUBLIC WORKS

DESIGN STANDARD
 FOR *ALMHRICV*
 NO. 7-ALT.
 MANHOLE RIM AND COVER

<i>Ray Mason</i> PRINCIPAL CIVIL ENGINEER	12-19-79
<i>J. S. Jamieson</i> DEPUTY DIRECTOR / CIVIL ENGINEER	1-2-80 DATE