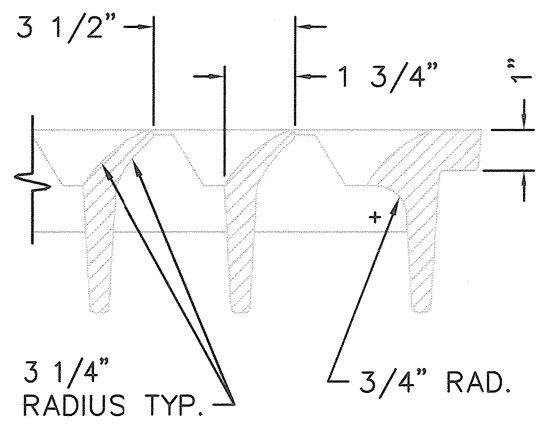
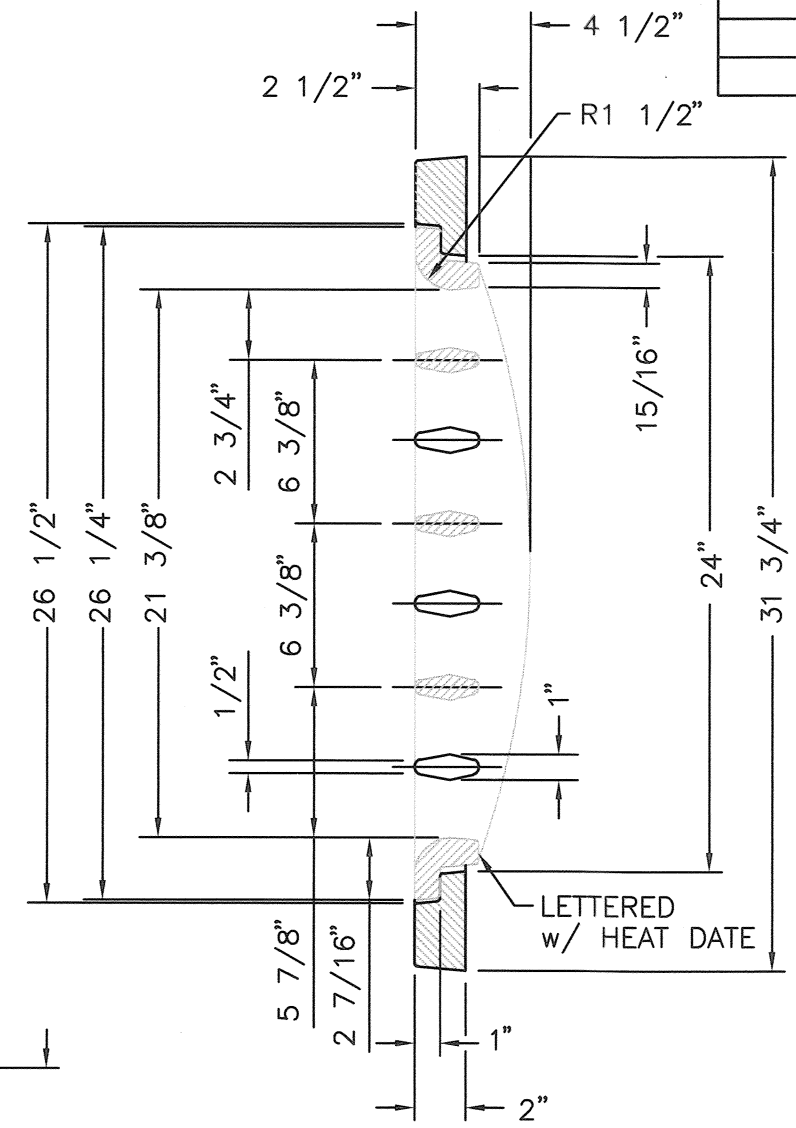
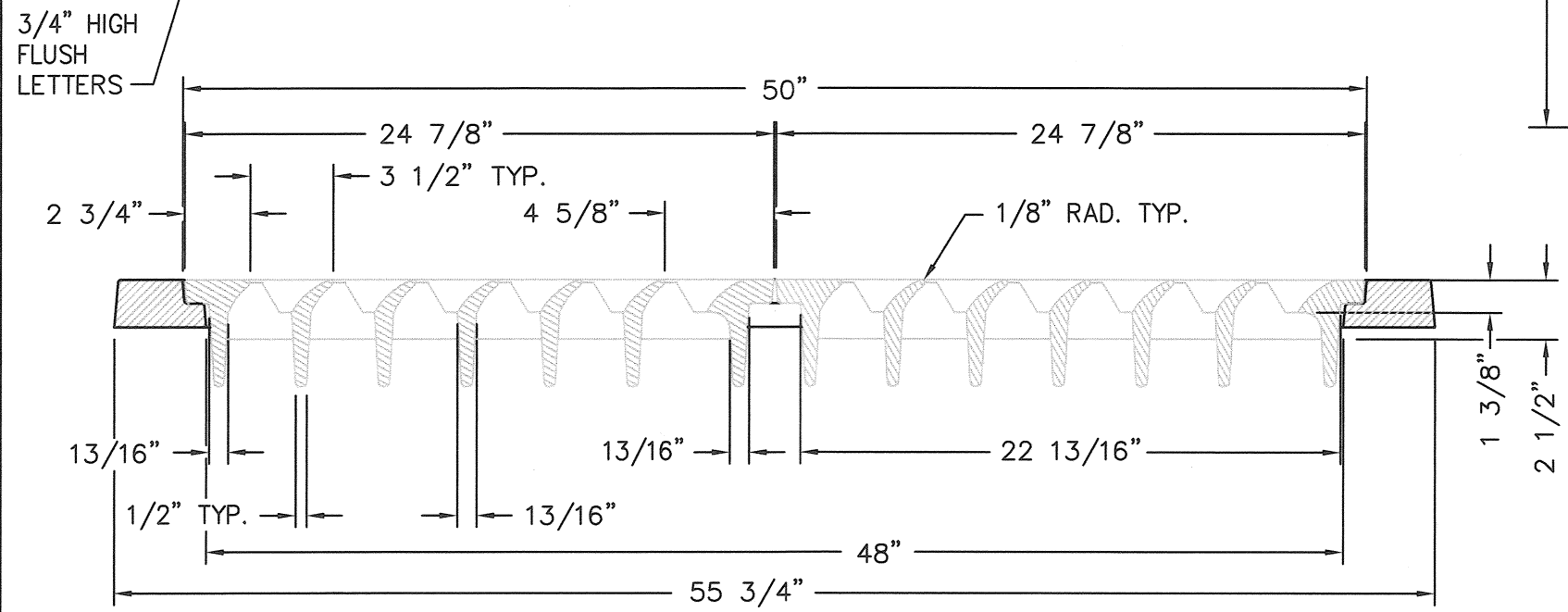
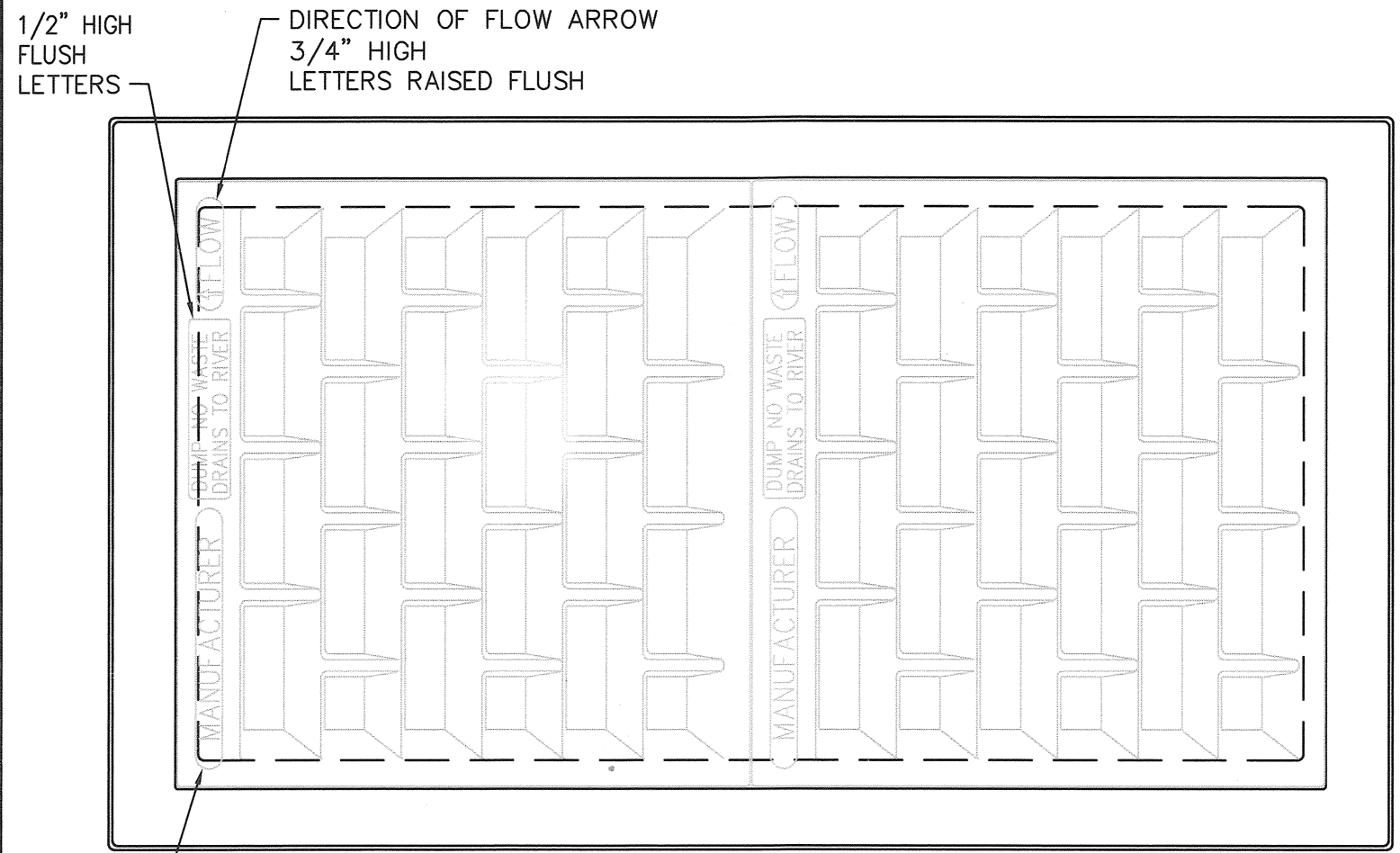


AutoCAD File: STD51 BUREAU: CIVIL DESIGN BUREAU ENGINEER: DRAFTSMAN: L.R.H. DATE: 2-03 SCALE: N.T.S.



DETAIL OF SECTION

REVISIONS			
NO.	DATE	BY	REMARKS

- NOTE:**
1. ALL DRAFT ON GRATE IS 5° UNLESS CALLED OUT.
  2. OPEN AREA OF GRATE IS 624 SQ. IN.

MATERIAL: CAST GRAY IRON ASTM A-48, CLASS 35B  
 FINISH: NO PAINT  
 WEIGHT: FRAME 305 LBS.  
 EACH GRATE APPROX. 175 LBS.

CITY OF MEMPHIS  
 DIVISION OF ENGINEERING

**DESIGN STANDARD**  
 FOR  
**ALTERNATE RIM AND GRATING FOR #11 INLET**

*Wain Cashino*  
 CITY ENGINEER

6/17/03  
 DATE